

Monolith™ Customizable



MS72



MS48

The Monolith™ universal pedestal is the perfect support for mounting industry leading level 2 EV charging stations. It is available in two sizes (48", 72") and designed to support up-to two EV charging units. The Monolith™ enables contractors to convert their customer's parking spaces into charging places.

FEATURES

- Constructed from heavy gauge sheet metal (18g, 14g & 11g) and plate metal (1/4" & 1/8") aluminium
- 8" wide faces allows not only a range of Level 2 EV charging units to be mounted and offers branding real estate
- Base plate has 3 conduit holes offering single or daisy chain configuration.
- Cable management mechanism with auto-retraction and self-locking is extendable up to 3M (~10 ft) in length
- Security bolts are used to prevent tampering and unauthorized access
- Back panel is removable for easy access for servicing
- Interior plate for mounting junction boxes
- Polished finish (add-on) or hi-grade powder coating available in four colours but not limited to:



LIGHTING PACKAGE OPTION

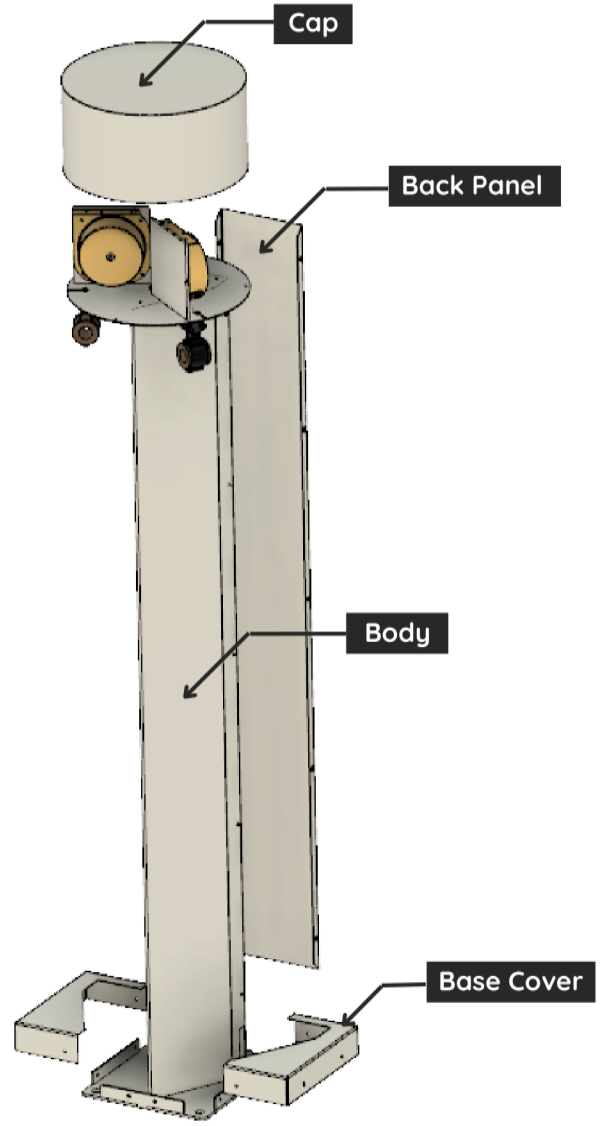
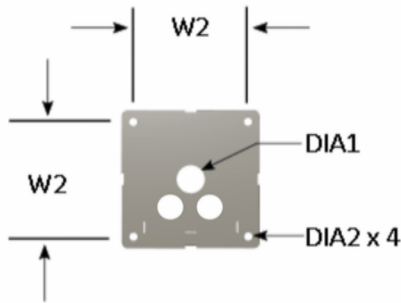
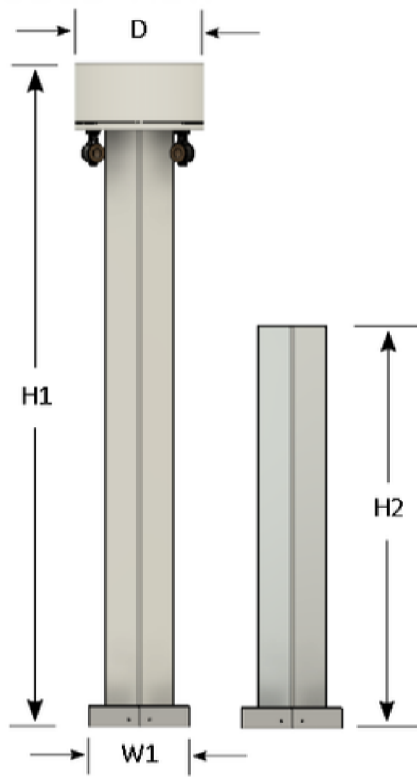
- Illumination from an LED ring strip located inside the lip of the cap
- Powered by a Class 2 power supply: 120 - 220VAC input
- Choice of six colours or controllable RGB



SIGNAGE PACKAGE OPTIONS INCLUDE

- Premium outdoor rated vinyl on all surfaces
- Stand-off panelling
- Illuminated custom shaped signage





DIMENSIONS (in)							
MODEL	H1	H2	D	W1	W2	DIA1	DIA2
MS48		48.38		12.25	10	2	0.75
MS72	79.5		15.5	12.25	10	2	0.75

WEIGHT (lbs)		
MODEL	Steel	Aluminum
MS48	55	20
MS72	110	50

MODEL INFORMATION		(example) M S 7 2 A 2 B V				
SIZE: 48, 72						
MATERIAL: Steel, Aluminum						
RETRACTORS: 0, 1, 2						
FINISH: Black, White, HVY, HVO, POL						
LED : Red, Blue, Green, Yellow, Orange, V (RGB), None						

