



The ARC - HOME retractable EV charger is a household portable AC charger. The EV charger can support up to 7.68kW @ 32Amps. Charging can be scheduled to allow access of lower charging costs. Users can also set the charging current and schedule charging times as well as check their charging status. The retractable EV cable allows for a clean and safe charger experience.

FEATURES

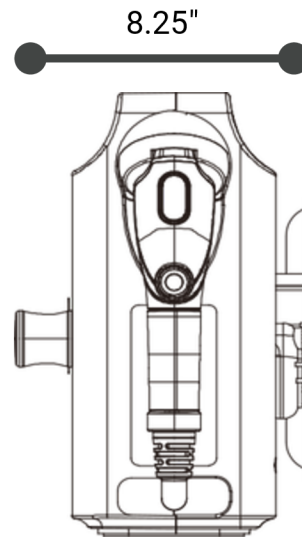
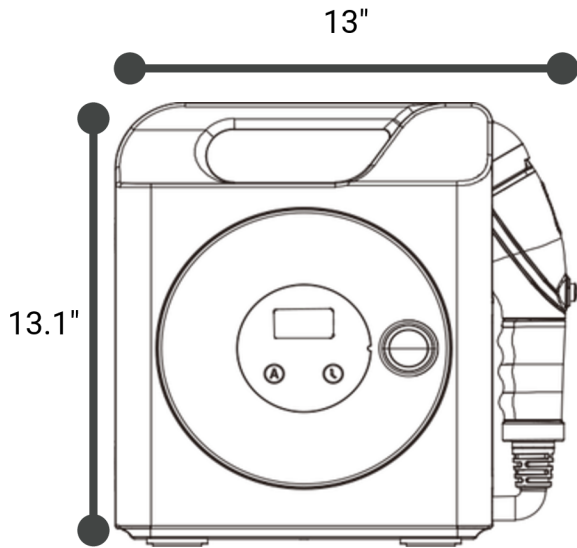
- Designed for household use
- Can be APP controlled
- Compatible with Level1 & Level2 AC power levels
- Type1 J1772 charging port
- Up to 7.68kW charging output
- Retractable charging cable.
- CCID20 earth leakage protection
- NEMA-3R shock resistance design
- Portable or fixed. Your choice.
- 2 Year warranty



ARC - HOME

SPECIFICATIONS

Standby Power	<2W Standby
Output Power(kW)	1.92kW 3.84kW 5.76kW 7.68kW
Output Amperage(A)	8A 16A 24A 32A
Input/Output Nominal Voltage	208VAC/250VAC
Input/Output Voltage Range	190VAC/265VAC
Input/Output Frequency	50/60Hz
Input Wiring Type	NEMA - 15-40
Surge Protection	Up to 6kV at 3000A
Weight	7Kg / 15.5lbs
Charge Connector Type	Type 1 SAE J1772
Charge Cable Length	18 feet
Water resistance.	IP65
Network	V4.2 BLE 2.4GHz & WIFI 2.4GHz



Arcpoint Connect is committed to driving a more sustainable environment as well as a robust EV infrastructure. Ideal for the home, or apartment, the Arc-Home is the solution you have been looking for. This charger is perfect for auto dealerships, car rental agencies, city & township municipalities, health care facilities, educational institutions and any home setting.



www.arcpointconnect.com
sales@arcpointconnect.com